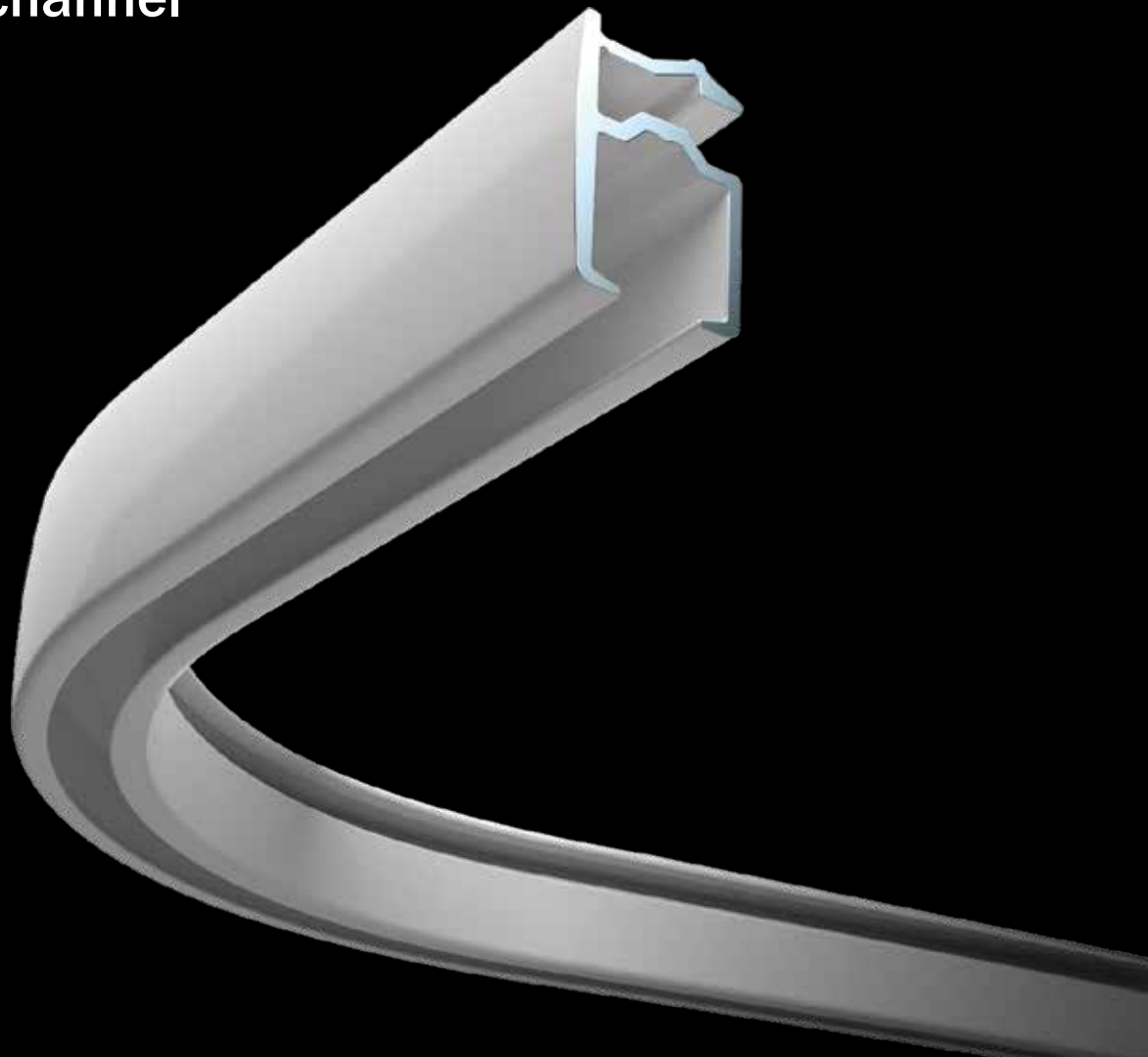




GOELST
curtain rail systems

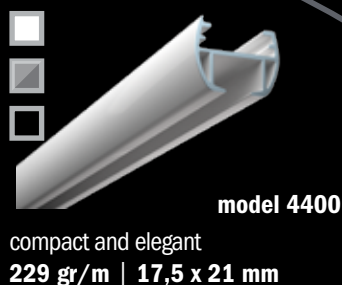
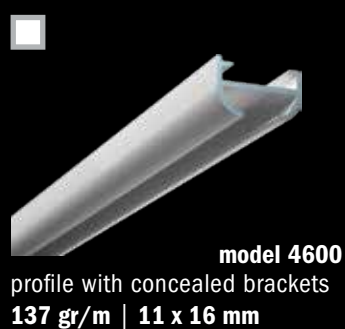
Hand-drawn curtain rails

wide channel



Curtain rails are our expertise

Goelst is a Dutch manufacturer of aluminium curtain rail systems. With over thirty years of experience, we offer a comprehensive range of high-quality, versatile curtain rail systems, suitable for all curtain types. Only the finest synthetics are used by our in-house injection moulding department for the manufacture of components. Goelst systems are known for their unparalleled gliding properties. Bespoke products are our forte. As well as general customisation, we offer unique, customer-specific solutions. Our own R&D department and production facilities allow us to provide ongoing development and innovation. In short, Goelst provides the experience, facilities and ability to complete any rail-related challenge.

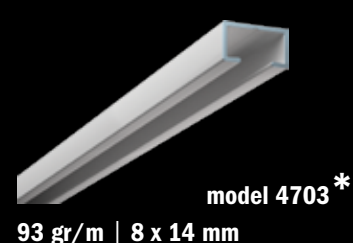
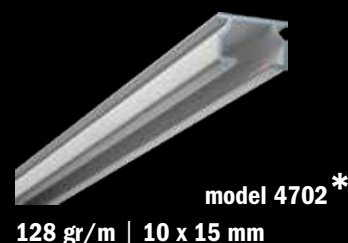


Wide-channel systems - robust yet elegant

The robust wide-channel profiles are suitable for all kinds of curtain types. Various rail types are available, appropriate for wall and ceiling mounting:

- **4100:** the strongest rail system in the series with a slim design, very suited to bending.
- **4200, 5100:** the look of a curtain pole, the comfort of a curtain rail.
- **4301:** very suitable for tight fixing to a wall or windowsill.
- **4400:** compact rail with the elegance of a small channel profile and the strength of a wide channel profile. Particularly suited to concealed ceiling fixing.
- **4600:** for sheers and light to medium-weight curtains. Concealed fixing with swivel brackets, suitable for bay windows.
- **4700:** profile series for ceiling mounting. Installed using clips or pre-punch holes, for screwing directly to the soffit.
- **4800:** very stable rail for medium-weight curtains.
- **4900:** for recessed fixing in timber grounds.
- **5600:** luxurious, robust, rounded rail with the look of a curtain pole. Ceiling fixing with clamps.
- **6200:** luxurious, robust, heavy rail. Ceiling fixing with clamps. Also suited to recessed fixing.

4700-series: fine profiles, elegant mounting with concealed screws



Specification guide

Material

- Aluminium EN AW-6060-T66.
- Anodised in accordance with the Qualanod standard.
- Powder coated in accordance with the Qualicoat standard.

Bending

Minimum radius

- 10 cm: 4600, 4700 series, 4800 & 4900
- 15 cm: 4200, 4400 & 5100
- 20 cm: 4100, 5600 & 6200

Additional installation options

Punch hole options

- 4700 profile standard punch hole
(\varnothing 2.5 + 3 x 10 mm slotted hole, every 15 cm)
Other hole punch options on request
- 4900 profile standard punch hole
(\varnothing 2.5 mm every 15 cm)

Standard colours



9010

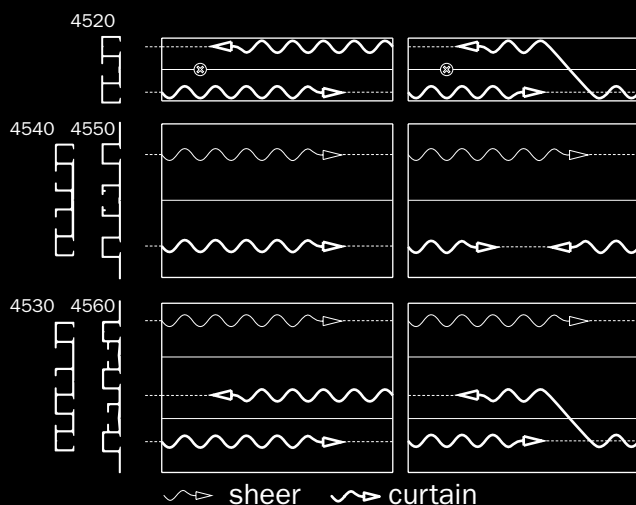
natural silver
anodised

9006

other RAL colours & special coatings on request

Product example

Example of stacks with multi-channel 4500:



Flow and Swing

Folding systems Flow and Swing are applicable to

Flow: all wide channel profiles, except for 4900

Swing: 4100, 4200, 4400, 4700, 4701, 4702, 5100, 5300, 5600, 6200

Components

Curtain transport



2004
glider brake



4001
end stop
(all series)



4001-M
metal end stop with eye
(except 4703 and 4900)



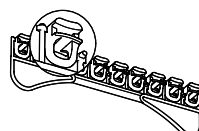
4002
end stop without eye
(except 4703 and 4900)



4003
spring stop
(except 4703 and 4900)



4007
rotating glider
(except 4900)



4010
glijder (on strip)
(except 4900)



6009
special glider, also for
Pilot Release System
(4700 and 4900)



4010-50
glider 4010 with
curtain hook 2023
(except 4900)



4012
click-in glider parallel
(except 4900)



4012-50
click-in glider parallel with
hook 2023
(except 4900)



4020
glijder heavy duty
(4100, 4200, 4400, 4500-series, 4800,
5100, 5300, 5600 and 6200)

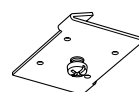


4030
roller
(4100, 4200, 4500-series, 4800,
5100, 5600 and 6200)

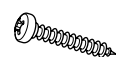


6010
projection glider
(4200, 4400, 5100, 5600 and 6200)

Ceiling mounting



2050-SYST
for ceiling mounting on
ceiling grid (excl 5350)
(4800)



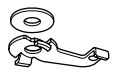
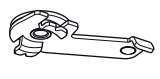
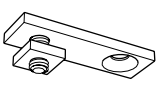
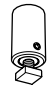

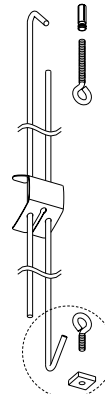

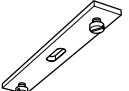
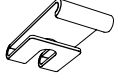

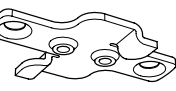
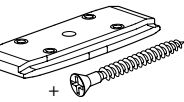
2314
screw
(4700/01/02)



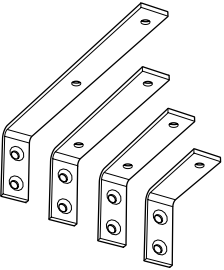
2413
Torx-screw 13 mm
for punched profiles



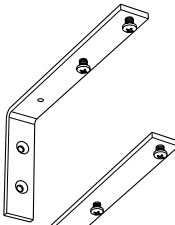
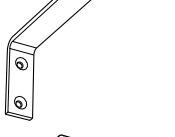
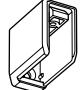

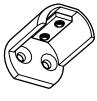
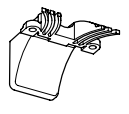
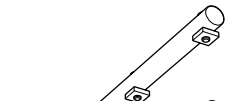

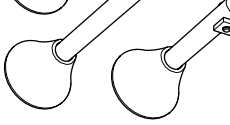
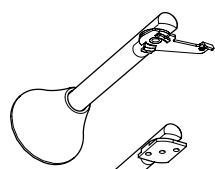
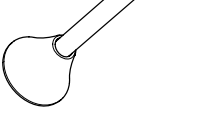
2614
screw for 2650
(4600)

-  **2650**
ceiling fixing clamp
incl. washer
(4600)
-  **4450**
ceiling fixing clamp
incl. washer
(4400)
-  **4135 or 5135**
ceiling bracket
(4100: 4135 / 4200, 5100 : 5135)
-  **4254**
mini suspension hanger 3 cm
(4100, 4200 and 5100)
-  **2914-WD**
screw 4.5 x 45
for ceiling fixing
incl. white cover
(4500 series)
-  **4555-SH**
hanger for suspended ceilings,
adjustable max. 100 cm with
channel and mounting material
for concrete ceiling max. 25 kg
per hanger
(4500 series)
-  **5350**
ceiling bracket
(4800)
-  **2216**
double bracket excl 5350
(4800)
-  **4750**
ceiling bracket
(4700, 4701 and 4702)
-  **6050**
ceiling fixing clamp incl washer
max curtain weight 25 kg
(5600 and 6200)
-  **6055-1000**
ceiling fixing plate, max
curtain weight 100 kg
(5600 and 6200)
-  **6055-2000-35**
track insert for recessed
fixing with special screw,
channel pre-drilled by Goelst
(5600 and 6200)

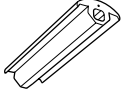



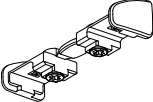

Wall mounting


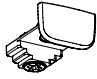
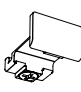

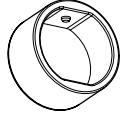


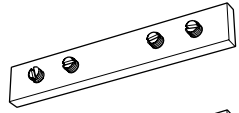
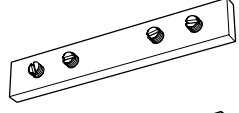

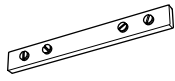
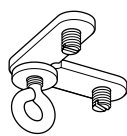
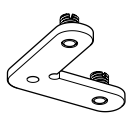
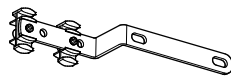
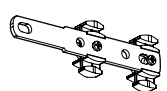
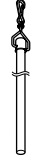


-  extension bracket
5, 7.5, 10 or 15 cm

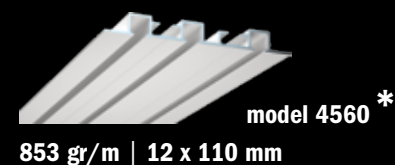
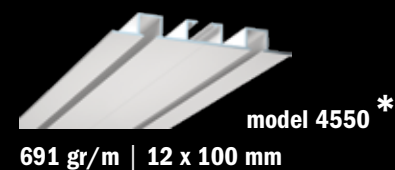
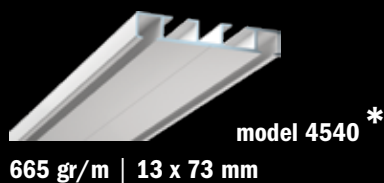
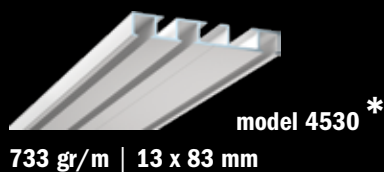
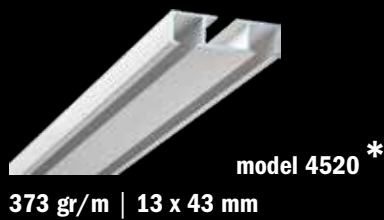
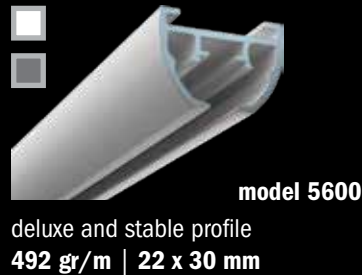
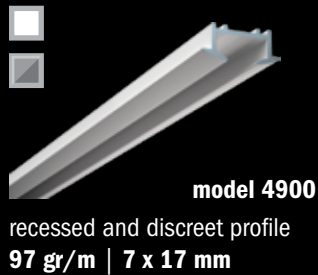
railtype	bracket
4100 :	4115
4200 :	5115
4400 :	4415 (incl. clamp)
4500 :	4515
4800 :	2015 (excl. 5350)
5100 :	5115
6200 :	6015 (incl. clamp)

-  **2018**
extension bracket
heavy duty, excl. 5350
15 cm
(4800)
-  **2019**
extension bracket
heavy duty, excl. 5350
20, 25 or 30 cm
(4800)
-  **4149**
wall bracket
(4100)
-  **4249**
wall bracket
(4200)
-  **5149**
wall bracket
(5100)
-  **6051**
wall bracket
projection 4 cm
(5600 and 6200)
-  **4217-202**
20 cm
-  **4217-201**
20 cm
-  **4217-101**
10 cm
adjustable
extension bracket
(4100, 4200 and 5100)
-  **4417**
adjustable extension
bracket 7 - 15 cm
(4400)
-  **6017**
adjustable extension
bracket 7 - 15 cm
(5600 and 6200)

Accessories

-  **4145**
dust cover
(4100, 4200 and 5100)
-  **4153**
end cap
(4100)
-  **4253**
end cap
(4200)
-  **4253-A**
aluminium end cap
(4200)
-  **4353**
end cap set (L & R)
(4301)
-  **4453**
end cap
(4400)

-  **4653**
end cap
(4600)
-  **4753-00**
end cap
(4700)
-  **4753-12**
end cap
(4701 and 4702)
-  **5153**
end cap
(5100)
-  **5153-A**
aluminium end cap
(5100)
-  **5653**
end cap
(5600)
-  **6253**
end cap
(6200)
-  **4452**
connection bridge
(4400)
-  **4552**
connection bridge
(4500)
-  **4852**
connection bridge
(4800)
-  **5152**
connection bridge
(4200 and 5100)
-  **4048**
corner connection
with eye
(4100, 4200, 4400, 4500,
4800 and 5100)
-  **4048-20**
corner connection
without eye
(4100, 4200 and 5100)
-  **4074-1000**
carrier with overlap
(except 4703 and 4900)
-  **4075-1000**
carrier without overlap
(except 4703 and 4900)
-  **7399**
plexiglass draw rod
transparent
-  **7399-WK**
metal draw rod plastic
coated white
-  **7399-K**
plexiglass draw rod
transparent with
metal core



Multi-channel systems - perfectly parallel

Our multi-channel profiles are the ideal solution for layered curtain styles. By installing just one rail unit, you will have two or even three rail channels at your disposal. Combine for instance sheers and blackout curtains. The perfectly parallel channels guarantee an impeccable finish.

Since the multi-channel profiles do not require brackets, they look extremely refined, especially when curtains are opened. Moreover, a flawless curtain overlap can be achieved using profiles 4520, 4530 and 4560.

- **4500:** this multi-channel curtain rail is also suitable for suspended ceiling systems and heavier applications.

* project specials (available on request)



GOELST
curtain rail systems

Simplicity with class? Hand-drawn curtain rails by Goelst.



Goelst NL B.V.

P.O. Box 480 | 6710 BL Ede | The Netherlands | T +31 (0)318 648 100
F +31 (0)318 648 109 | info@goelst.com | www.goelst.com